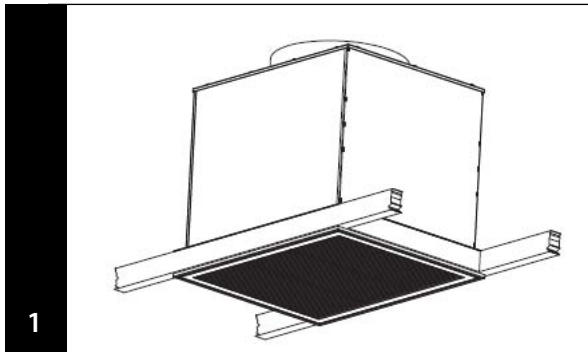


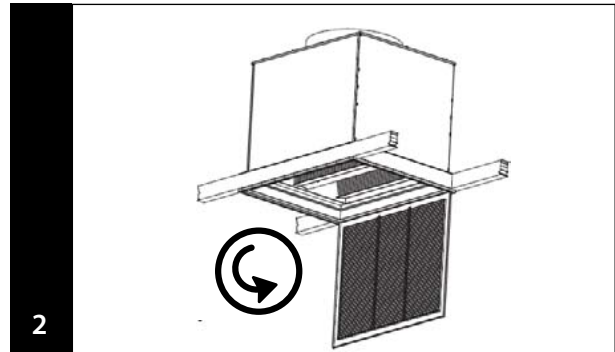
Perfect 16 RR-2025 Filter Replacement Instructions

» Filter replacement reminders by email!

IQAir's PerfectAir Program helps you maintain the cleanest indoor air by helping you stay on top of replacing your Perfect 16 air filters. Sign up today at www.IQAir.com/PerfectAir



1 Locate your existing central return grille where the Perfect 16 RR system is installed. (Note: there may be more than one location/system.)



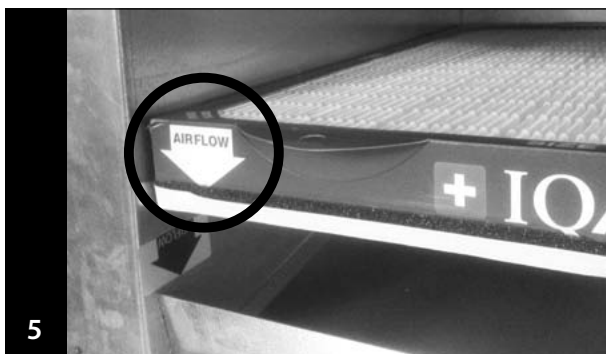
2 Open the grille door. **CAUTION:** Loose dust and debris may be present when opening the grille door. Protect clothing and other surfaces while handling used filters. Sensitive individuals may also consider using protective gear when changing filters.



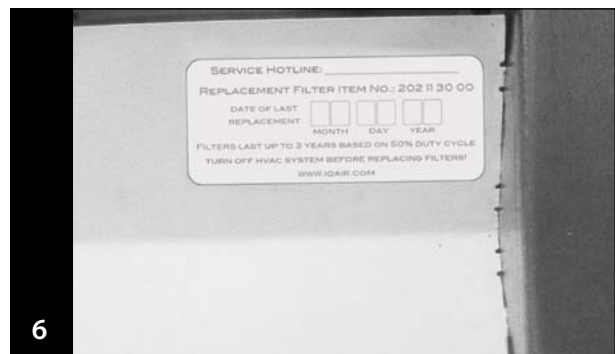
3 Take hold of the filter tab and gently pull to dislodge the filter from the frame. Slide the filter toward the open space and remove. Repeat with the three remaining filters.



4 Remove the plastic wrap from each of the four new filters (1 set contains 4 filters). Insert the new filters into position using the metal guides inside the cabinet.



5 Ensure that you align the direction of the airflow arrows on the filter with the airflow arrows on the cabinet. Filters should form a double "V" shape after the set is installed.



6 Fill out the filter replacement label with the current date of this filter replacement. Affix sticker on the inner frame. (With average use, filters last approximately 3 years based on 50% HVAC usage.)

Used filters can usually be disposed of as regular trash (dispose or recycle used filters per local laws or regulations).